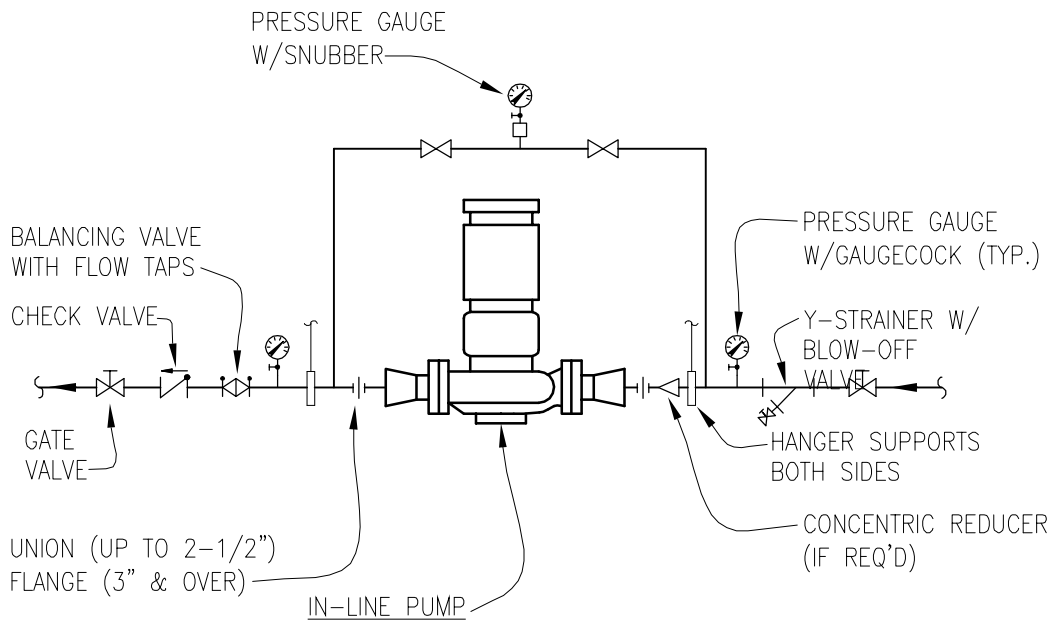


NOTE:  
 AHU COILS: AIR VENTS AT SUPPLY & RETURN HIGH POINTS AND HEADERS AS SHOWN.  
 VAV & REHEAT COILS: AIR VENTS (KEY OPERATED) ON RETURN ONLY. OMIT THERMOMETERS AND GAUGES.

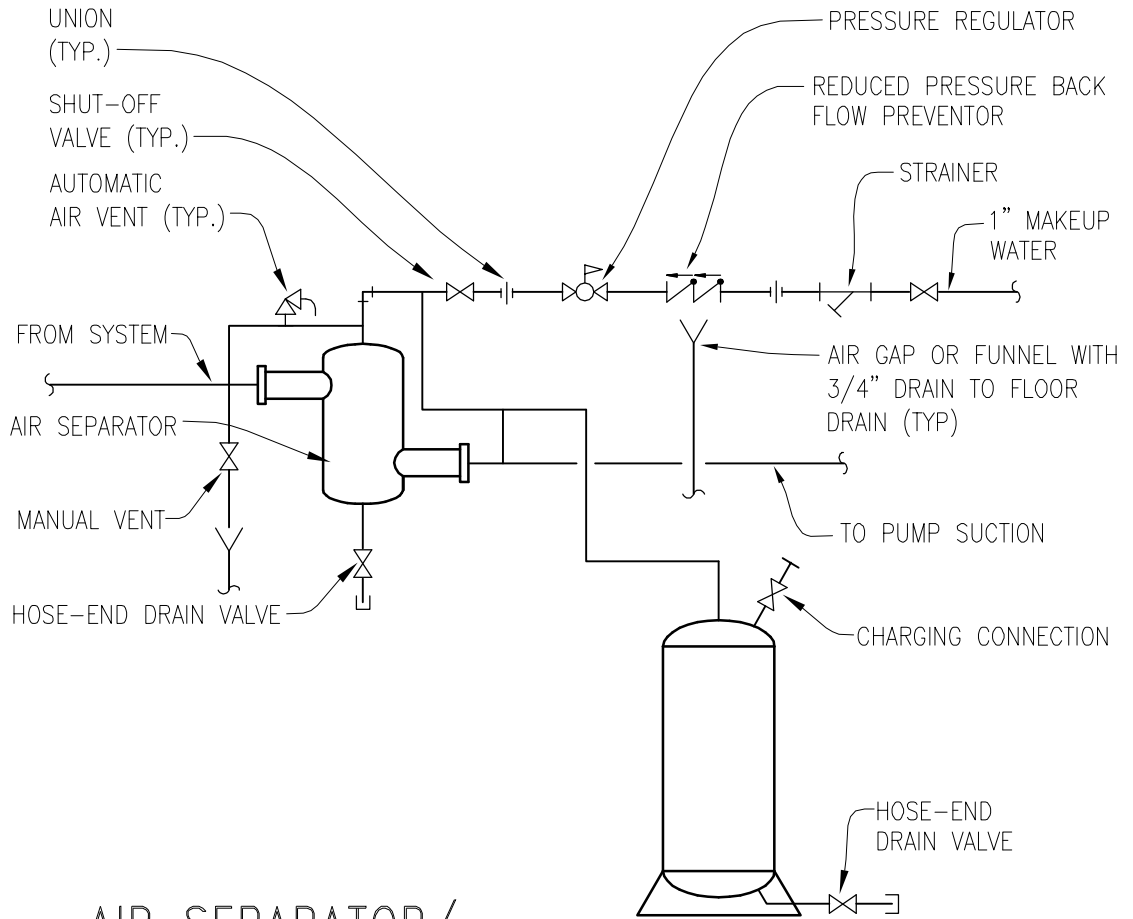
## WATER COIL PIPING DETAIL (3-WAY VALVE)

12  
 M3.02

SCALE: NONE



14 VERTICAL IN-LINE PUMP DETAIL  
 M3.02 SCALE: NONE

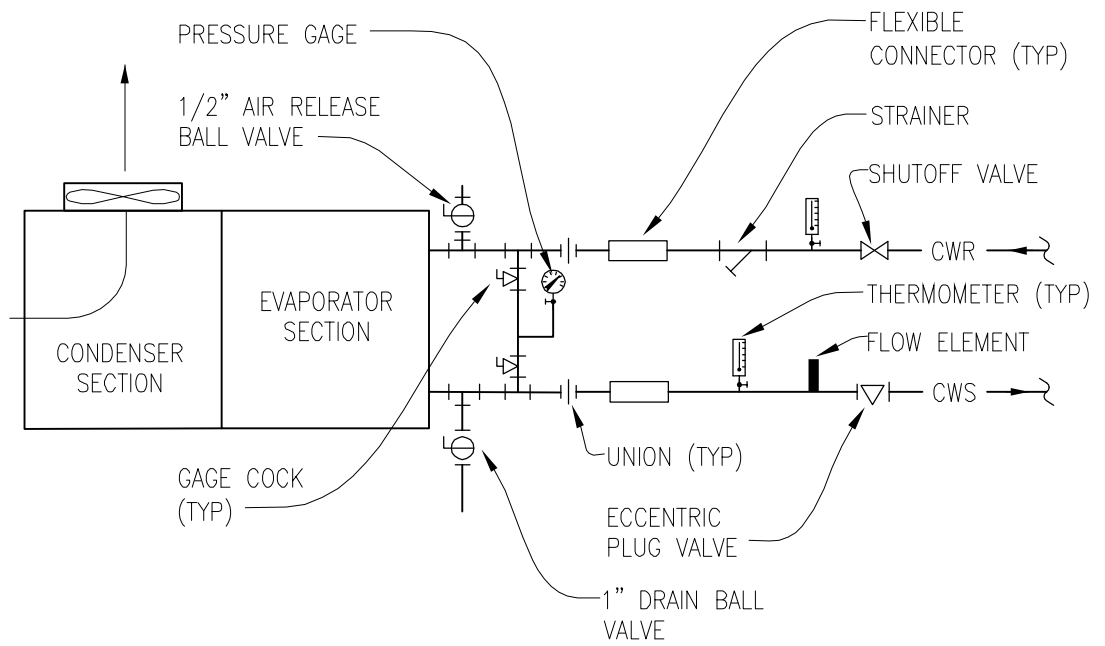


# AIR SEPARATOR/ EXPANSION TANK DETAIL

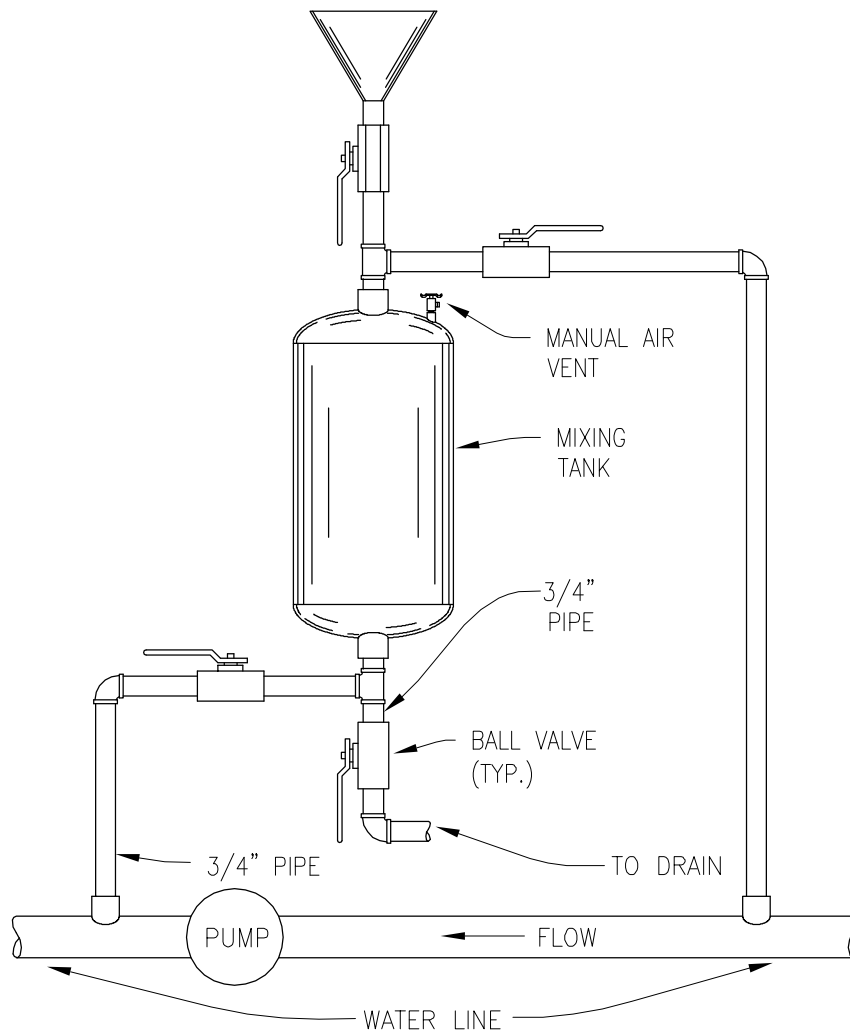
15

M3.02

SCALE: NONE



15 AIR COOLED CHILLER  
 M3.02 SCALE: NONE



16 CHEMICAL FEEDER DETAIL  
 M3.02 SCALE: NONE

METAL LOCKERS

**ESTIMATE DETAILS**

Item#	Group	Qty	Item Description
Item1	0	8	<p><b>Standard Double Tier Locker - 12"w x 12"d x 36"h</b></p> <ul style="list-style-type: none"> <li>* Construction Widths - (3) Three Wide ( 3 )</li> <li>■ Color-Unknown Color ( XX )</li> <li>* Construction Type-Knock Down (STD)</li> <li>■ Legs-None ( N )</li> <li>* Top-Flat (STD)</li> <li>* Handle-Tamper Guard (STD)</li> <li>■ ICM (Intermediate Cross Member) - ( I )</li> <li>* Color Finish-NO CUSTOM FINISHES (STD)</li> <li>* Hinge-Full Loop (STD)</li> <li>* Door Gauge-16GA Door (STD)</li> <li>* Door Ventilation-6 Inch Louvers (STD)</li> <li>* Door Special-NO SPECIAL DOOR OPTIONS (STD)</li> <li>* Top Gauge-24GA (STD)</li> <li>* Top Ventilation-NO VENTILATION (STD)</li> <li>* Bottom Gauge-24GA (STD)</li> <li>* Bottom Ventilation-NO VENTILATION (STD)</li> <li>* Side Gauge-24GA (STD)</li> <li>* Side Ventilation-NO VENTILATION (STD)</li> <li>* Back Gauge-24GA (STD)</li> <li>* Back Ventilation-NO VENTILATION (STD)</li> <li>* Openings/Qty: 48</li> </ul>