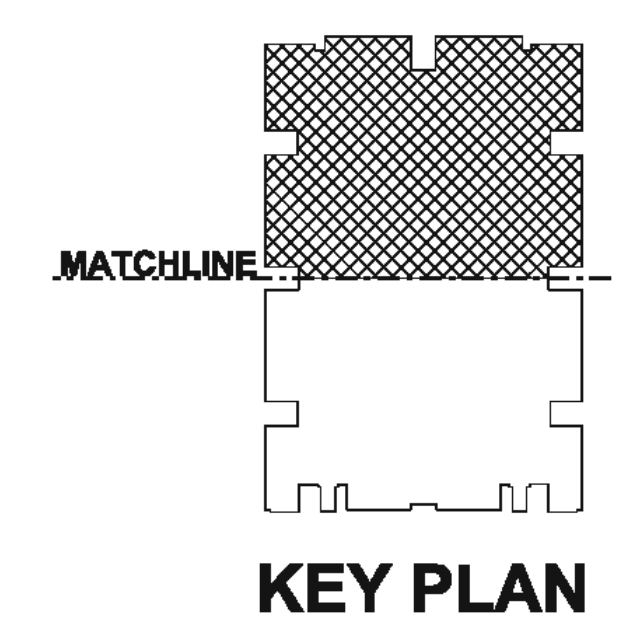


- NOTES:
1. THE CONTRACTOR SHALL HYDRAULICALLY DESIGN AN AUTOMATIC WET PIPE FIRE SPRINKLER SYSTEM IN ACCORDANCE WITH NFPA 13, UFC 3-600-01, THE SPECIFICATIONS AND THE RFP. SPRINKLERS SHALL BE INSTALLED IN ALL AREAS REQUIRED TO BE PROTECTED BY NFPA 13 AND NFPA 101.
 2. FIRE PROTECTION SYSTEM PIPING, FITTINGS AND SIZES SHOWN ON THE DRAWINGS ARE DIAGRAMMATICAL IN NATURE AND ARE PROVIDED FOR ESTIMATING PURPOSES ONLY. THEY SHOULD NOT BE CONSIDERED AS REQUIREMENTS UNDER THIS CONTRACT. THE CONTRACTOR IS RESPONSIBLE FOR COORDINATING THE LOCATION OF SPRINKLERS AND PIPING WITH OTHER TRADES. ENSURE THE PROPER CLEARANCES ARE PROVIDED WHERE NECESSARY.
 3. ALL VALVES CONTROLLING WATERFLOW TO THE SPRINKLER SYSTEM SHALL BE PROVIDED WITH TAMPER SWITCHES TO BE CONNECTED TO THE FIRE ALARM SYSTEM.
 4. CONTRACTOR SHALL SIZE AND INSTALL CROSS MAINS FOR FUTURE EXPANSION INTO THE REMAINDER OF THE BUILDING. ISOLATION VALVES SHALL BE PROVIDED FOR FUTURE SPRINKLER AND STANDPIPE SYSTEMS.
 5. SEE SHEET F-501 FOR FIRE PROTECTION DETAILS.
 6. SPRINKLER PIPE SHALL NOT BE SUPPORTED BY FASTENERS CONNECTED TO THE ROOF DECK. PIPE SHALL BE SUPPORTED BY STRUCTURAL MEMBERS.
 7. SPRINKLER PIPING SHALL BE SEISMICALLY BRACED IN ACCORDANCE WITH NFPA 13.

- LEGEND
- LIGHT HAZARD
0.10 GPM/SF OVER HYDRAULICALLY MOST REMOTE 3,000 SF
 - ORDINARY HAZARD, GROUP I
0.15 GPM/SF OVER HYDRAULICALLY MOST REMOTE 3,000 SF
 - ORDINARY HAZARD, GROUP II
0.20 GPM/SF OVER HYDRAULICALLY MOST REMOTE 3,000 SF
 - BACKFLOW PREVENTER TEST HEADER
 - SPRINKLER RISER
 - 24 VDC ELECTRIC BELL
 - AREA NOT IN SCOPE (NO WORK)



1 FIRST FLOOR PLAN - FIRE PROTECTION
 F-102 SCALE: 3/32" = 1'-0"
 0 4' 8' 16'
 SCALE: 3/32" = 1'-0"



NO.	DATE	BY	DESCRIPTION



DESIGNED BY: JMW	DATE: 06 July 2011	SUBMITTED BY: FLD	CONTRACT NO.: W125-14R-003
DWN BY: FLM	NO. 021339	FEI NAME: FLD	CONTRACT NO.: W125-14R-003
U. S. ARMY ENGINEER DISTRICT SAVANNAH DISTRICT	CONSTRUCTION	DATE: 06 JULY 2011	FLAT SCALE: AS NOTED

QUAD DFAC AND STARSHIP RENOVATIONS
 BUILDING 5422
 PARTIAL FIRE FLOOR PLAN
 FIRE PROTECTION

PLATE REFERENCE NUMBER
F-102
 SHEET 65 of 152

\$\$\$DGN\$SPEC\$\$\$
 \$\$\$SYSTEMS\$\$\$
 \$\$\$USERNAME\$\$\$

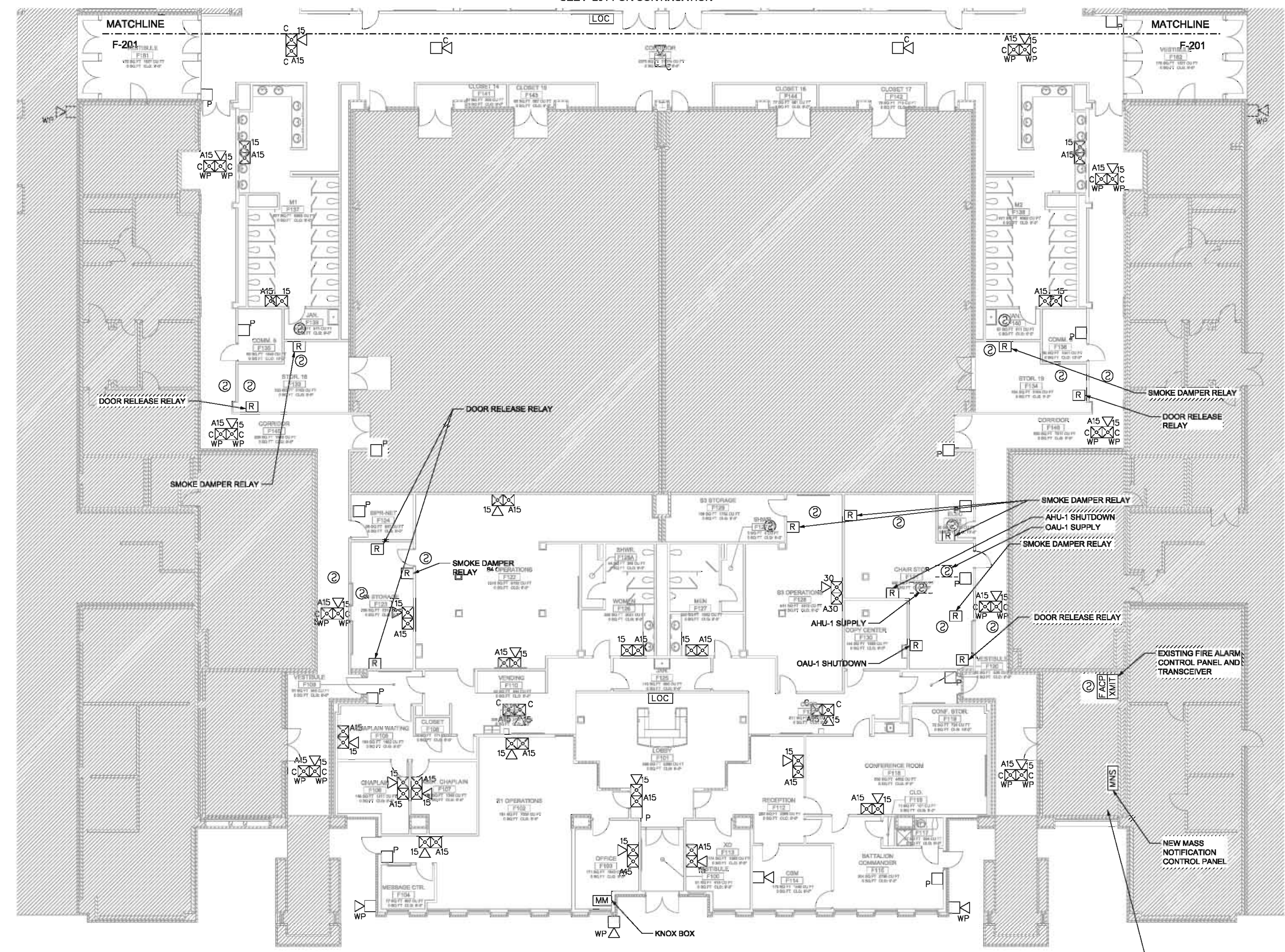
SEE F-201 FOR CONTINUATION

NOTES:

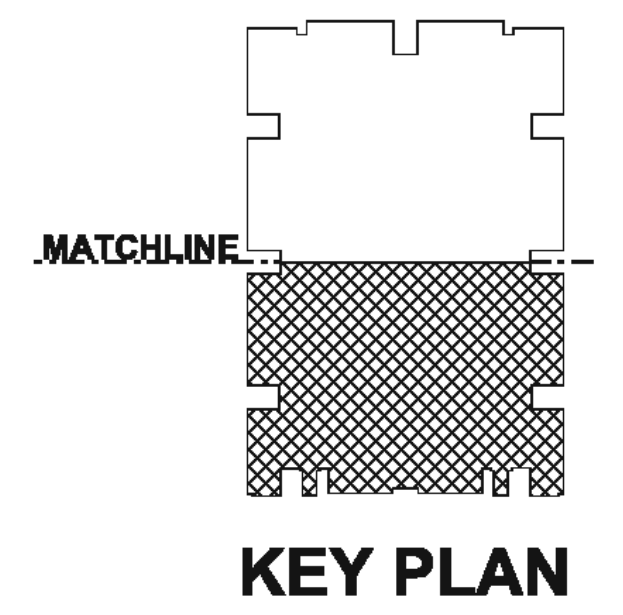
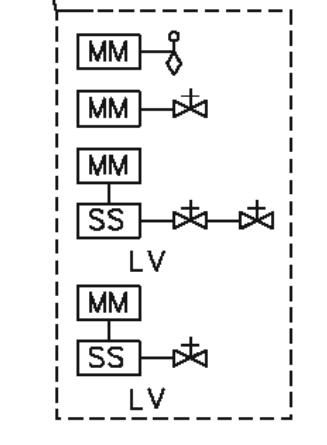
1. THE EXISTING CEBERUS PYROTRONICS ADDRESSABLE FIRE ALARM SYSTEM SHALL BE EXPANDED IN ACCORDANCE WITH NFPA 72, NFPA 101, UFC 3-600-01, UFC 4-021-01, THE SPECIFICATION AND THE SCOPE OF WORK DOCUMENTS.
2. A NEW MASS NOTIFICATION SYSTEM SHALL BE PROVIDED ANS SIZED FOR FUTURE EXPANSION.
3. THE FIRE ALARM SYSTEM SHALL REPORT ALL CONDITIONS TO THE BASE-WIDE REPORTING SYSTEM VIA THE EXISTING RADIO TRANSCEIVER UTILIZING THE APPROPRIATE ZONES.
4. THE EXISTING FIRE ALARM SYSTEM SHALL MONITOR ALL NEW SPRINKLER SYSTEM ALARM, SUPERVISORY AND TROUBLE CONDITIONS.
5. AIR HANDLING UNITS 2000 CFM OR GREATER SHALL HAVE DUCT SMOKE DETECTORS INSTALLED ON THE SUPPLY DUCTS.
6. SLC, IDC AND NAC CIRCUITS ARE TO BE ROUTED CLASS A.
7. SEE F-501 FOR FIRE ALARM DETAILS AND SYMBOL LEGEND.
8. ALL MANUAL PULL STATIONS SHALL BE PROVIDED WITH TAMPER RESISTANT PLASTIC COVERS (STI STOPPER II OR EQUIVALENT).

LEGEND

- XX - FIRE ALARM/MNS STROBE
XX = CANDELA RATING
- XX - SPEAKER/STROBE
XX = CANDELA RATING
- WP - WEATHERPROOF SPEAKER
- C - SPEAKER
C = CEILING MOUNTED
- ⊙ - PHOTOELECTRIC SMOKE DETECTOR
- ⊙ - DUCT SMOKE DETECTOR
- P - MANUAL PULL STATION
- ⊛ - VALVE TAMPER SWITCH
- ⊙ - WATERFLOW SWITCH
- R - RELAY MODULE
- MM - MONITOR MODULE
- FACP - FIRE ALARM CONTROL PANEL (EXISTING)
- MNS - MASS NOTIFICATION CONTROL PANEL
- SS - LOW VOLTAGE SURGE SUPPRESSOR
- LOC - MNS LOCAL OPERATOR CONSOLE WITH REMOTE MICROPHONE
- XMIT - MONACO TRANSCEIVER (EXISTING)
- ▨ - AREA OUTSIDE SCOPE OF WORK



1 FIRST FLOOR PLAN - FIRE ALARM
 F-201 SCALE: 3/32" = 1'-0"
 0 4' 8' 16'
 SCALE: 3/32" = 1'-0"



NO.	DATE	BY	DESCRIPTION



DESIGNED BY: JWJ	DATE: 06 July 2011	SOLICITATION NO.:	NO. 024339
DWN BY: JWJ	WJZ:DRD:DS	CONTRACT NO.:	
CHKD BY: 		CONTRACTOR CODE:	
FILE NAME: F-201.DGN	FILE SIZE: 22'X34'	PLT DATE:	06 July 2011
		AS NOTED	

QUAD DFAC AND STARSHIP RENOVATIONS
 BUILDING 6422
 PARTIAL FIRE FLOOR PLAN
 FIRE ALARM

PLATE REFERENCE NUMBER
F-201
 SHEET 66 of 152

