

1 FIRE SPRINKLER PLAN  
 F1.01 SCALE: 1/16" = 1'-0"

HYDRAULIC NOTES

- DESIGN FIRE PROTECTION SPRINKLER SYSTEM AS FOLLOWS:
  - LIGHT HAZARD OCCUPANCY: 0.10 GPM PER SQUARE FEET OVER THE HYDRAULICALLY MOST REMOTE 3,000 SQUARE FOOT AREA.
  - ORDINARY HAZARD OCCUPANCY (GROUP I): 0.15 GPM PER SQUARE FEET OVER THE HYDRAULICALLY MOST REMOTE 3,000 SQUARE FOOT AREA.
  - ORDINARY HAZARD OCCUPANCY (GROUP II): 0.20 GPM PER SQUARE FEET OVER THE HYDRAULICALLY MOST REMOTE 3,000 SQUARE FOOT AREA.
- INCLUDE 250 GPM FOR OUTSIDE HOSE DEMAND FOR LIGHT HAZARD AND 500 GPM FOR ORDINARY HAZARD.
- INCLUDE 144 GPM DOMESTIC DEMAND.
- HYDRANT FLOW DATA. SEE C3.01 FOR HYDRANT LOCATIONS.
  - STATIC HYDRANT LOCATION: ???
  - RESIDUAL HYDRANT LOCATION: 135
  - STATIC PRESSURE: 70 PSIG
  - FLOW: 1233 GPM
  - RESIDUAL PRESSURE: 54 PSIG
  - DATE: APRIL 2006

HANGER NOTES

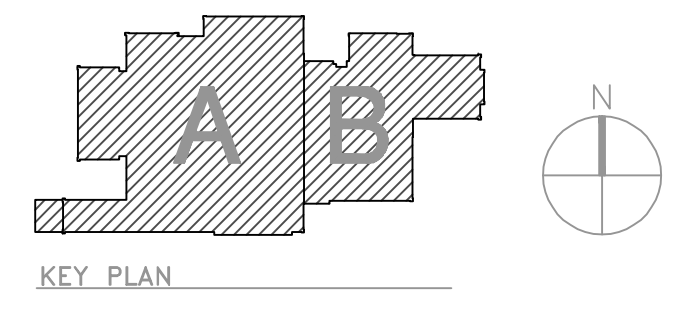
- DESIGN ALL HANGERS PER THE REQUIREMENTS OF NFPA 13.
- PROVIDE SEISMIC BRACING PER THE REQUIREMENTS OF NFPA 13 TO MEET FORCE PROTECTION REQUIREMENTS REGARDLESS OF EARTHQUAKE ZONE.

GENERAL NOTES

- PROVIDE A COMPLETE FIRE PROTECTION SYSTEM WITH ALL NECESSARY EQUIPMENT, APPURTENANCES AND CONTROLS, COMPLETELY COORDINATED WITH ALL DISCIPLINES. ALL PARAMETERS GIVEN AND LABOR REQUIRED FOR A COMPLETE FIRE PROTECTION SYSTEM IN ACCORDANCE WITH ALL APPLICABLE CODES (INCLUDING BUT NOT LIMITED TO NFPA 13 AND 24), STANDARDS, LOCAL AUTHORITIES AND THESE CONTRACT DOCUMENTS SHALL BE FURNISHED WITHOUT INCURRING AN ADDITIONAL COST TO THE CONTRACT. CAREFULLY REVIEW ALL CONTRACT DOCUMENTS AND THE DESIGN OF OTHER TRADES BEFORE PREPARING SHOP DRAWINGS.
- ALL COMPONENTS AND ASSEMBLIES USED IN THIS FIRE PROTECTION SUBSYSTEM MUST BE SPECIFICALLY LISTED/APPROVED FOR THEIR INTENDED USE BY A NATIONALLY RECOGNIZED TESTING ORGANIZATION WHOSE LISTING/APPROVAL PROCESS INCLUDES FOLLOW-UP FACTORY INSPECTIONS TO ENSURE THAT PRODUCTS COMPLY WITH THE LISTING/APPROVAL CONDITIONS. RELEASING PANELS AND RELEASING SOLENOIDS SHALL BE FM APPROVED AND UL LISTED FOR OPERATION WITH EACH OTHER.
- MAXIMUM PIPE FLUID VELOCITY SHALL BE 20 FPS.
- PROVIDE QUICK RESPONSE SPRINKLERS WITH ORDINARY TEMPERATURE CLASSIFICATION ON THIS SHEET. INCREASE TEMPERATURE RATING IN ACCORDANCE TO NFPA 13 WHERE SPRINKLERS ARE LOCATED NEAR HEAT SOURCES SUCH AS UNIT HEATERS OR CLEAR STORY WINDOWS.
- COORDINATE ALL WORK WITH ARCHITECTURAL, STRUCTURAL, MECHANICAL, PLUMBING AND ELECTRICAL TRADES. PROVIDE ALL OFFSETS TO AVOID INTERFERENCE WITH EQUIPMENT, PIPING, DUCTWORK, LIGHTS, CONDUIT, OR STRUCTURAL MEMBERS.
- COORDINATED ALL UNDERGROUND PIPING WITH WALL FOOTINGS, COLUMN FOUNDATIONS, AND OTHER STRUCTURAL CONDITIONS.
- PROVIDE AUXILIARY DRAINS TO COMPLY WITH NFPA 13. LOCATION DETERMINED BY CONTRACTOR'S DESIGN.
- FOR ALL AREAS WITH CEILING TILES PROVIDE WHITE CONCEALED SPRINKLERS CENTERED IN THE TILES.
- FOR ALL AREAS WITH GYPSUM CEILINGS PROVIDE WHITE CONCEALED SPRINKLERS SPACED EVENLY WITH LIGHTS.
- FOR ALL OTHER CEILING AREAS PROVIDE CHROME UPRIGHT/PENDENT/SIDEWALL SPRINKLERS SPACED EVENLY.
- TYPICAL FOR ALL FIRE PROTECTION PIPING THIS SHEET. FIRE PROTECTION PIPING SHALL BE ROUTED THROUGH THE BUILDING SUCH THAT IT DOES NOT OBSTRUCT WINDOWS OR THE CLEARSTORY. PIPING WILL NOT BE RUN AT LOW LEVELS IN HIGH BAY ROOMS. PIPING WILL NOT BE RUN IN RANDOM PATTERNS. PIPING WILL NOT BE RUN EXPOSED TO VIEW IN FINISHED AREAS.
- MARK ALL EXPOSED INTERIOR PIPING AT 26 FOOT INTERVALS, WITH PLASTIC WRAPAROUND TYPE PIPE LABELS CONFORMING TO ASME/ANSI A13.1-1996 "SCHEME FOR THE IDENTIFICATION OF PIPING SYSTEMS", INDICATING THE TYPE OF FLUID CARRIED AND DIRECTION OF FLOW. LABELS ARE NOT REQUIRED ON SPRINKLER SYSTEM BRANCH LINES AND PIPES LESS THAN 2 INCHES IN NOMINAL SIZE. LABEL PIPING "FIRE SPRINKLER".
- PROVIDE DISINFECTION OF SPRINKLER PIPING IN STRICT ACCORDANCE WITH SPECIFICATIONS.
- EXPOSED SPRINKLER PIPING SHALL BE PAINTED IN ACCORDANCE WITH SPECIFICATION 09915.

CLASSIFICATION OF OCCUPANCY

- [White Box] LIGHT HAZARD OCCUPANCIES
- [Diagonal Lines] ORDINARY HAZARD OCCUPANCIES (GROUP I)
- [Cross-hatch] ORDINARY HAZARD OCCUPANCIES (GROUP II)



Rev.	Description	Date	Approved Symbol
1	ISS CONSTRUCTION - NOT FIRE CONSTRUCTION	01/15/10	
2	ISS CONSTRUCTION - NOT FIRE CONSTRUCTION	01/15/10	
3	ISS CONSTRUCTION - NOT FIRE CONSTRUCTION	01/15/10	
4	ISS CONSTRUCTION - NOT FIRE CONSTRUCTION	01/15/10	
5	ISS CONSTRUCTION - NOT FIRE CONSTRUCTION	01/15/10	
6	ISS CONSTRUCTION - NOT FIRE CONSTRUCTION	01/15/10	
7	ISS CONSTRUCTION - NOT FIRE CONSTRUCTION	01/15/10	
8	ISS CONSTRUCTION - NOT FIRE CONSTRUCTION	01/15/10	
9	ISS CONSTRUCTION - NOT FIRE CONSTRUCTION	01/15/10	
10	ISS CONSTRUCTION - NOT FIRE CONSTRUCTION	01/15/10	

DEPARTMENT OF THE AIR FORCE  
 AIR COMBAT COMMAND  
 23 CIVIL ENGINEER SQUADRON  
 MOODY AIR FORCE BASE, GEORGIA

Developed by: MA  
 Design file no.:  
 Drawn by: MA  
 Drawing code:  
 Reviewed by: MA  
 Submitted by: AS  
 File name: MCF1-01.DWG  
 Plot date:  
 Plot scale: 1:1  
 Chief Engineer

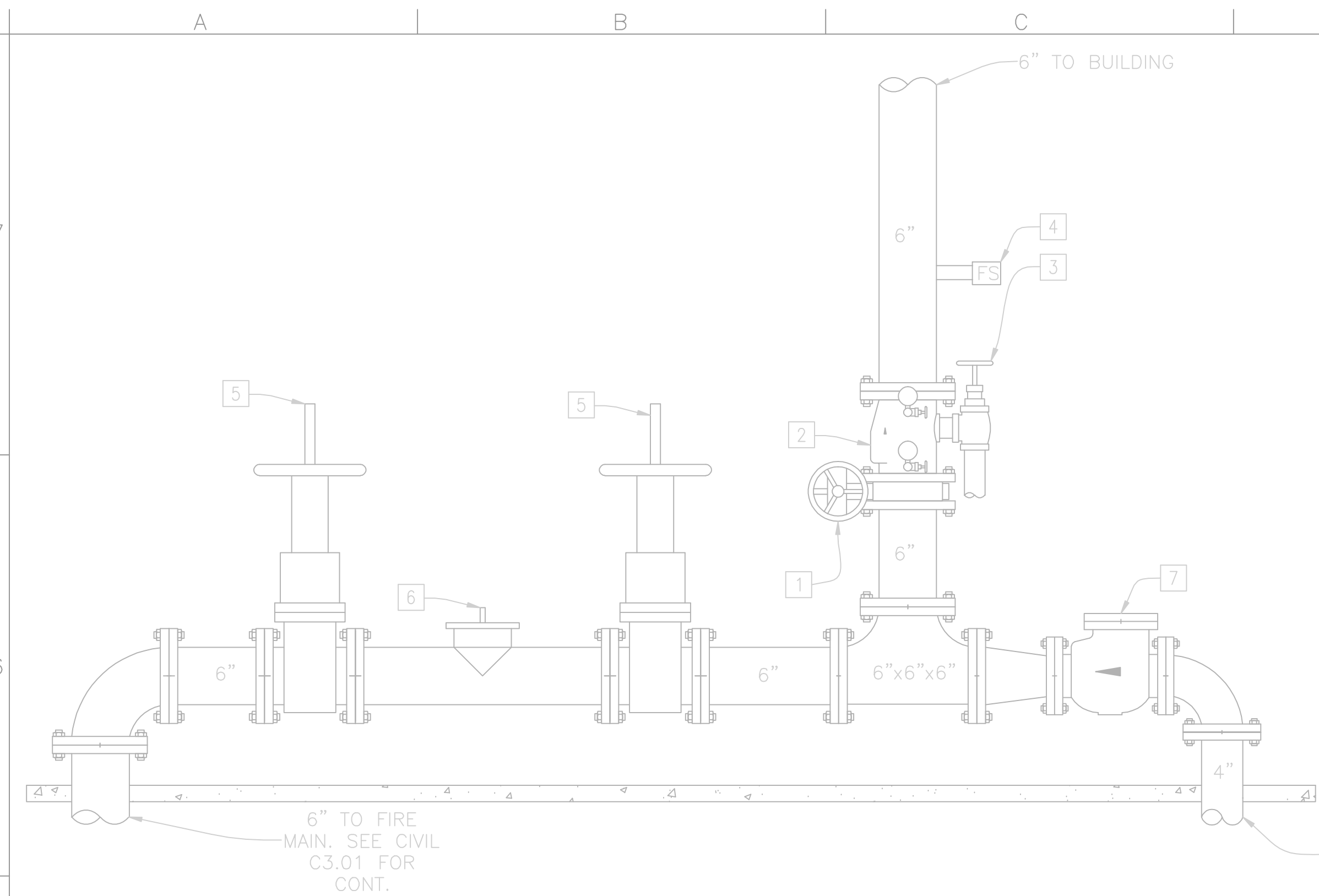
DATE: 08/20/08

MOODY AFB, GEORGIA  
 YOUTH CENTER ADDITION/RENOVATION  
 MAFB PROJECT NO. QSEU010145a & B

LEO DALY  
 FORMERLY SETTER LEACH & UNDERSTROM

FIRE PROTECTION PLAN

Sheet reference number:  
 F1.01

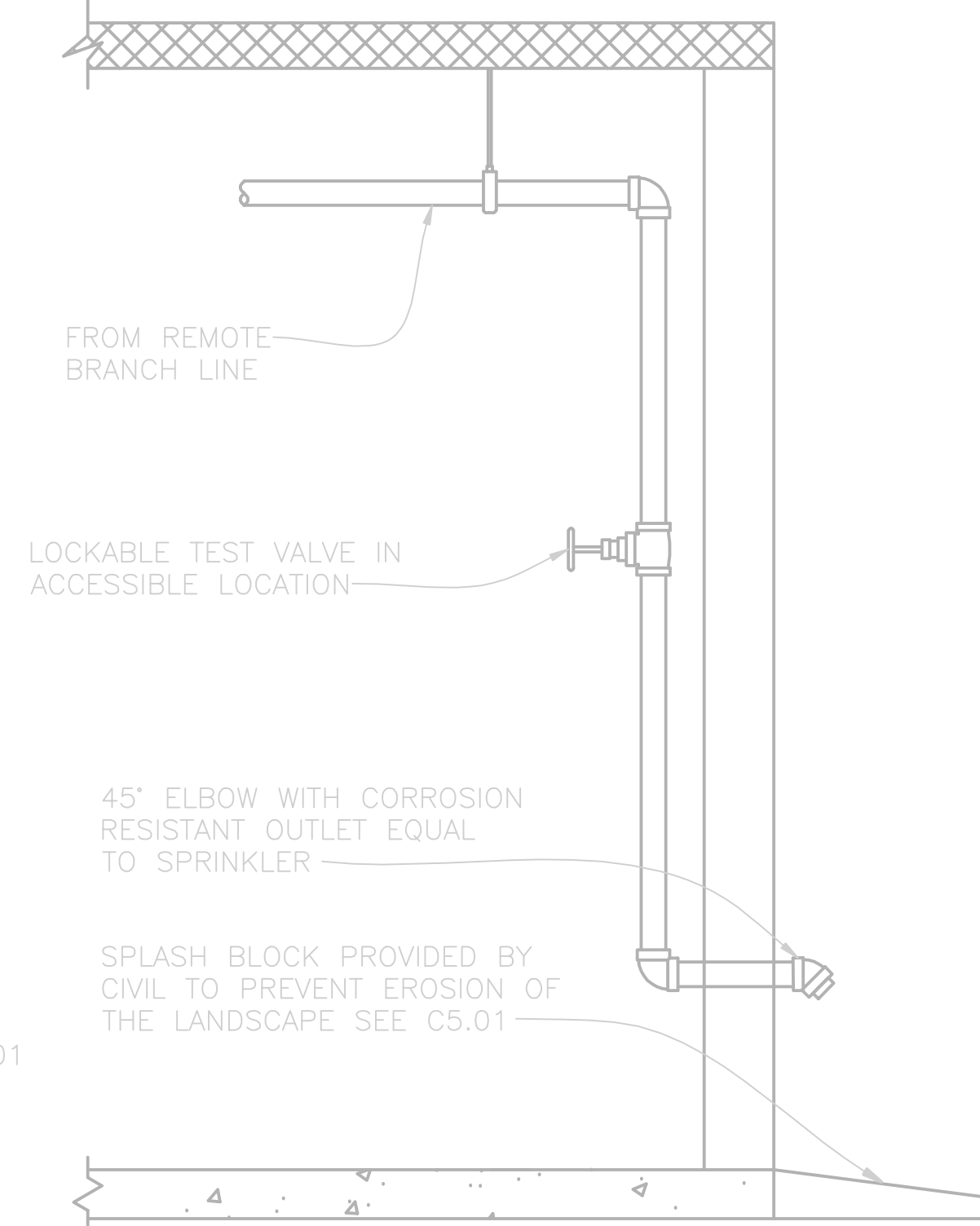


**RISER KEY NOTES**

- 1 SHUTOFF - BUTTERFLY VALVE.
- 2 "SHOT GUN RISER" CHECK VALVE WITH TRIM AND INTEGRAL MAIN DRAIN.
- 3 ROUTE TO FLOOR DRAIN.
- 4 FLOW SWITCH.
- 5 OS&Y GATE VALVE.
- 6 DOUBLE CHECK BACK FLOW PREVENTER.
- 7 CHECK VALVE.

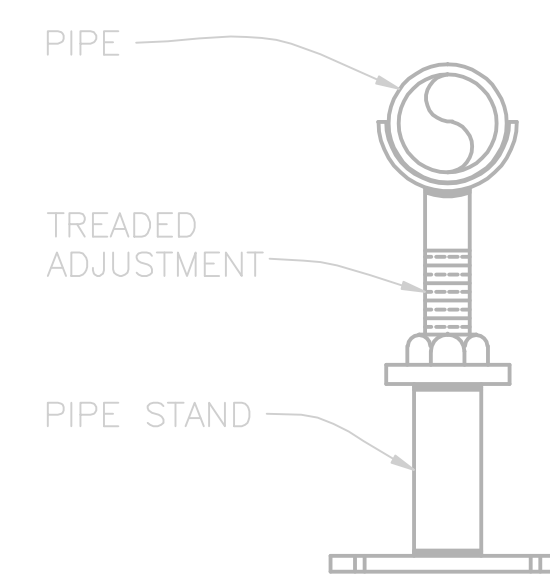
**WET PIPE SYSTEM TEST CONNECTION**

NO SCALE F101|F102



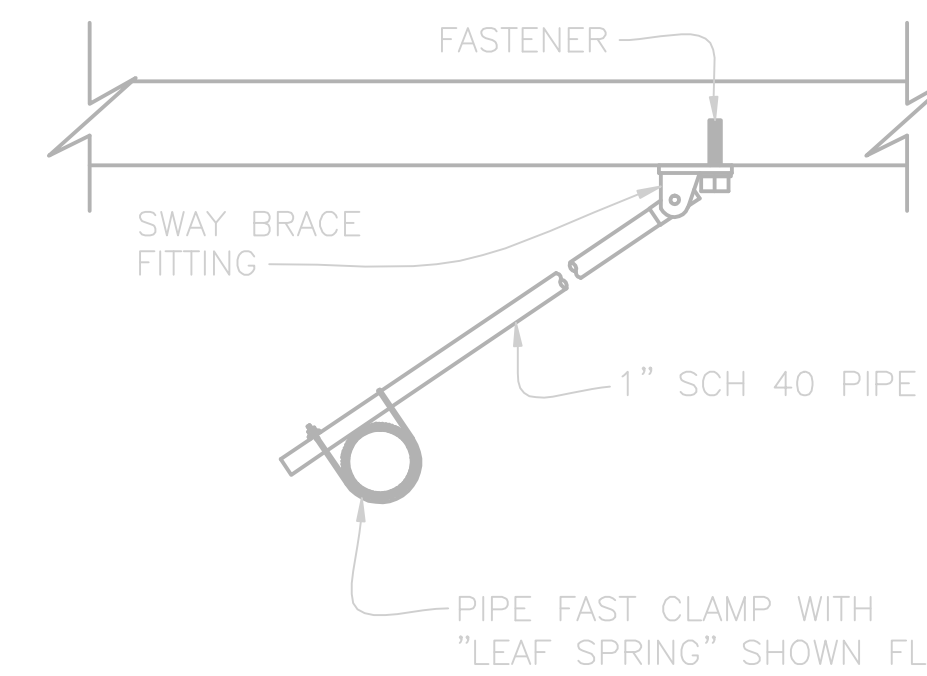
**WET PIPE SYSTEM TEST CONNECTION**

NO SCALE F101|F102



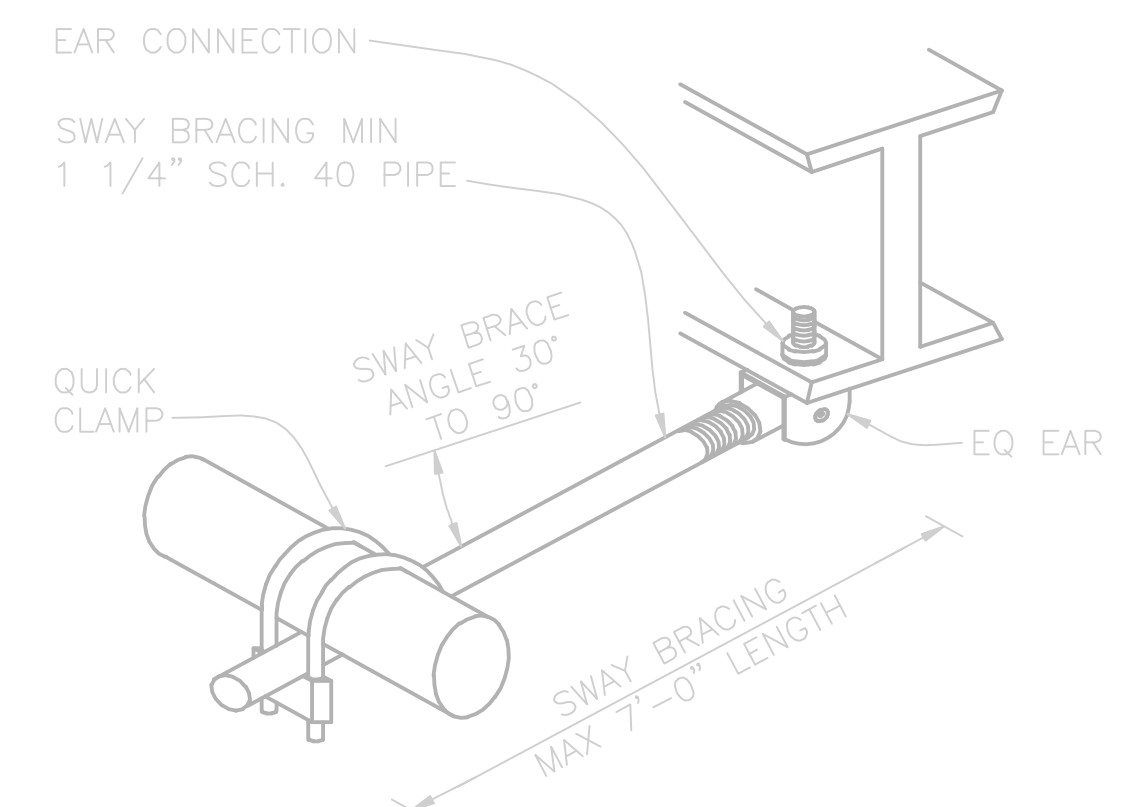
**PIPE STAND**

NO SCALE F101|F102



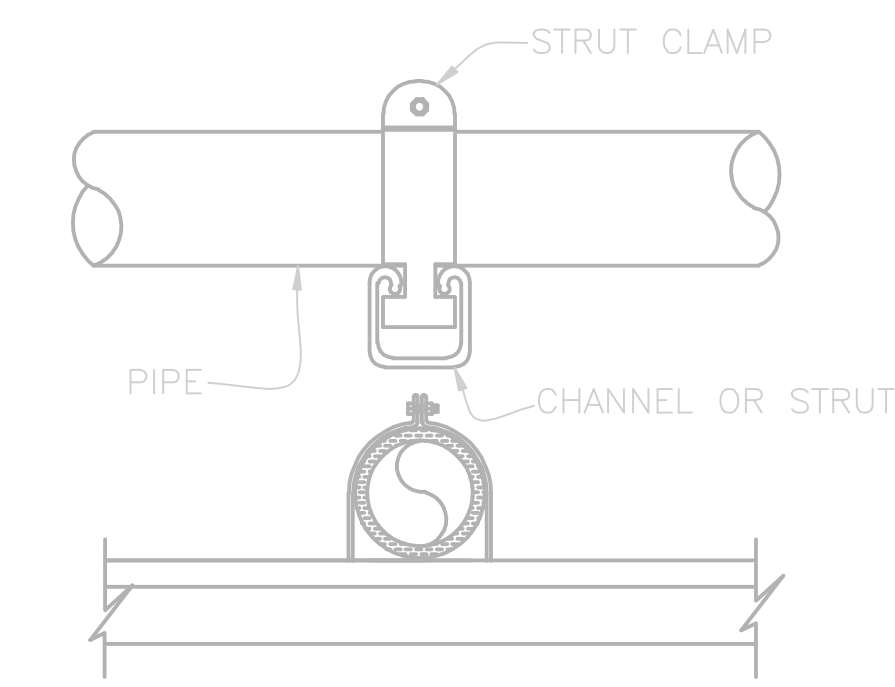
**TYPICAL SWAY BRACING**

NO SCALE F101|F102



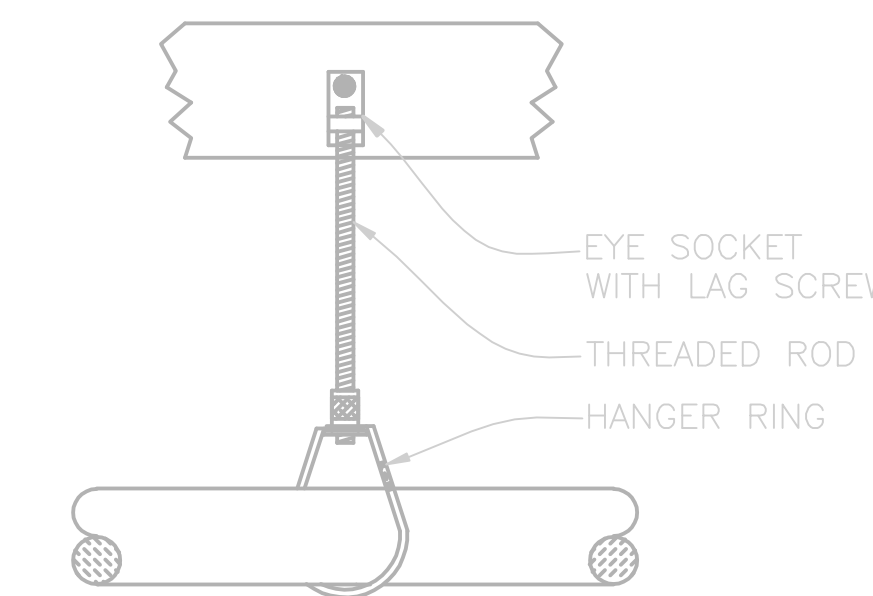
**TYPICAL SWAY BRACING**

NO SCALE F101|F102



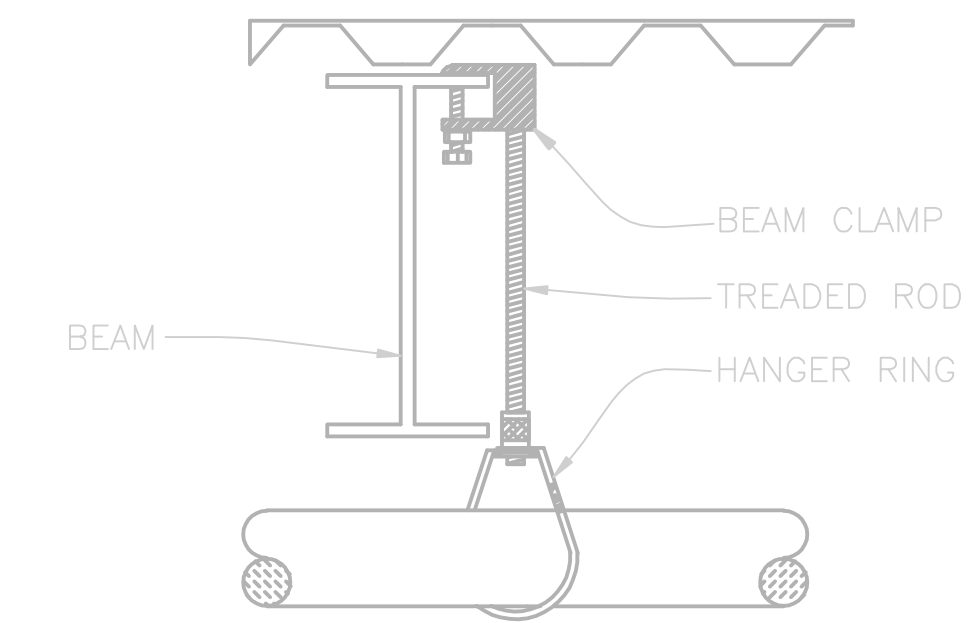
**CHANNEL STRUT HANGER**

NO SCALE F101|F102



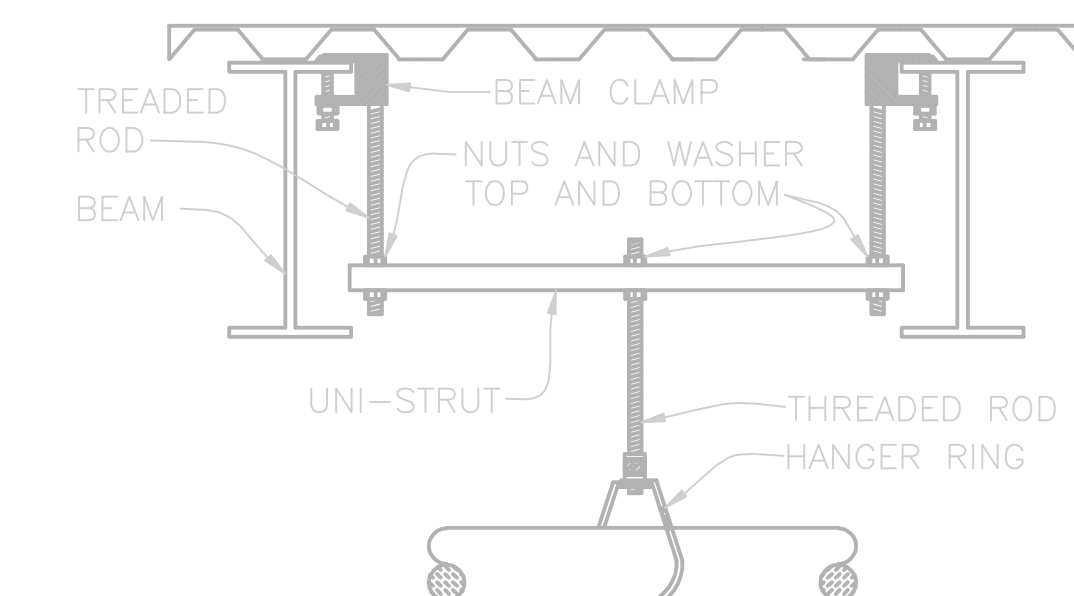
**TYPICAL HANGER ASSEMBLY**

NO SCALE F101|F102



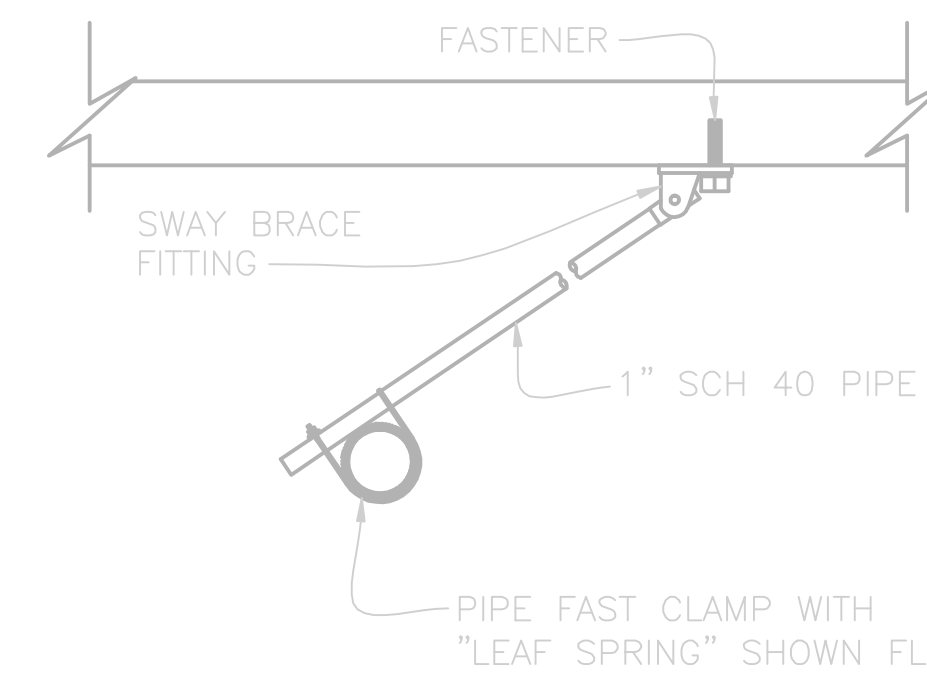
**TYPICAL HANGER ASSEMBLY**

NO SCALE F101|F102



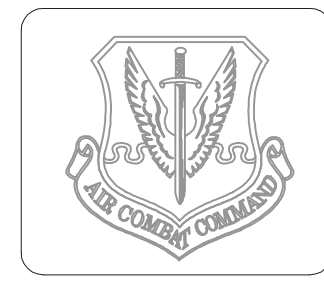
**TYPICAL HANGER ASSEMBLY**

NO SCALE F101|F102



**TYPICAL SWAY BRACING**

NO SCALE F101|F102



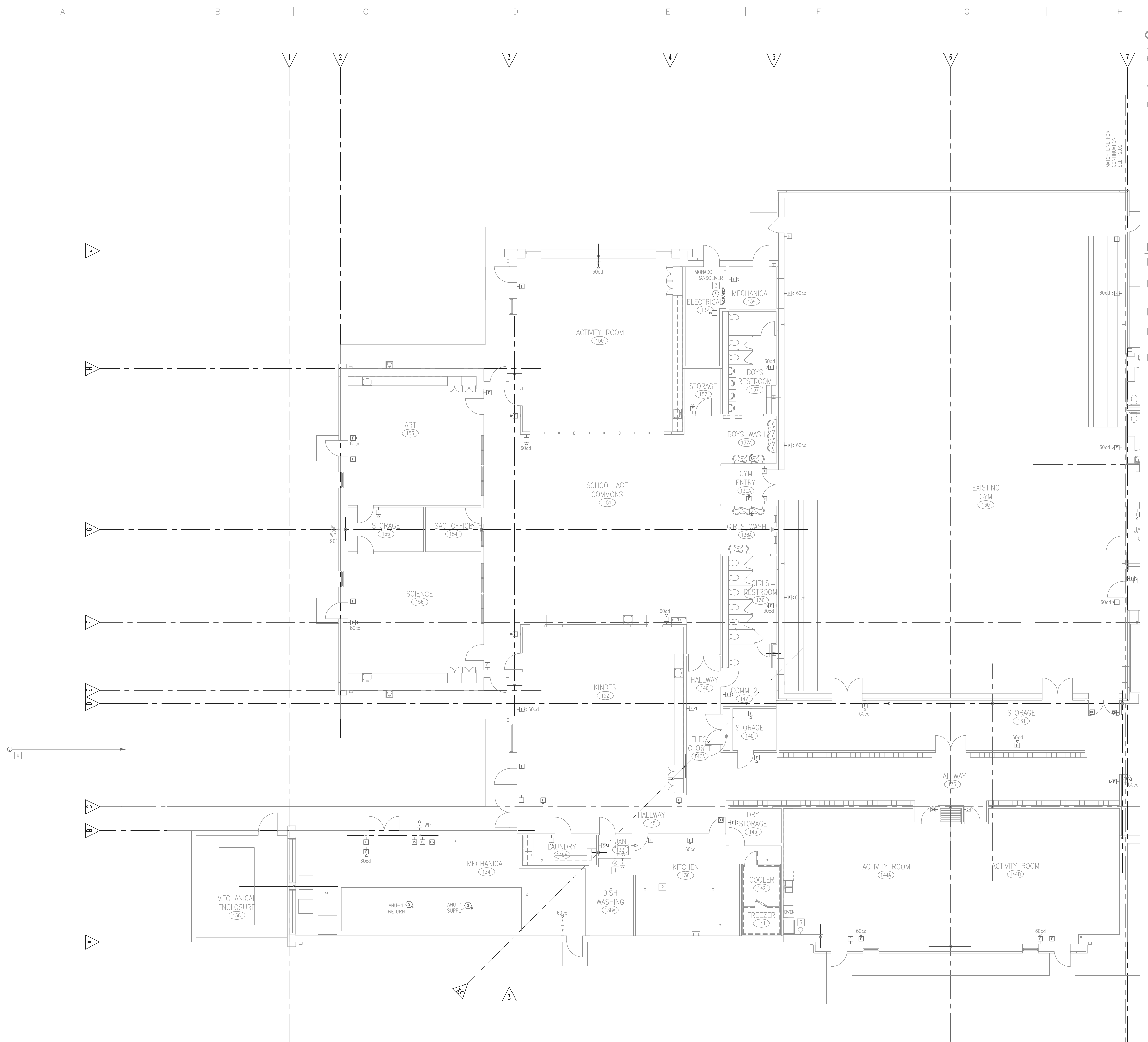
Symbol	Description	Date	Approved
	FOR CONSTRUCTION		
	NOT FOR CONSTRUCTION		
	FOR CONSTRUCTION		
	NOT FOR CONSTRUCTION		
	FOR CONSTRUCTION		
	NOT FOR CONSTRUCTION		
	FOR CONSTRUCTION		
	NOT FOR CONSTRUCTION		

Designed by: AJS	Date: 08/02/09	Rev:
Dwn by: LJO	Design file no:	
Reviewed by: MJA	Code by: MJA	
Submitted by: MJA	Drawing code:	
Chief Engineer	File name: M101-02.DWG	
	Plot date:	
	Plot scale:	1:1

DEPARTMENT OF THE AIR FORCE  
23 AIR COMBAT COMMAND  
WOODY AIR FORCE BASE, GEORGIA  
**LEO DAILY**  
FORMERLY SETTER LEACH & LUNDSTROM

MOODY AFB, GEORGIA  
YOUTH CENTER ADDITION/ALTERATION  
MAFB PROJECT NO. QSEU010145A & B  
**FIRE PROTECTION DETAILS**

Sheet reference number:  
**F1.02**



**GENERAL NOTES**

- PROVIDE 15cd STROBES UNLESS OTHERWISE INDICATED.
- STROBE CANDELA VALUES INDICATED ARE FOR CLEAR FIRE ALARM STROBES. INCREASE AMBER MASS NOTIFICATION STROBE INTENSITY TO MATCH CLEAR STROBE OUTPUT.
- INSTALL FIRE ALARM AND MASS NOTIFICATION SYSTEM WIRING IN CONDUIT. DO NOT USE CABLE TRAY.
- SEE SHEET E0.00 FOR FIRE ALARM AND MASS NOTIFICATION SYMBOL LIST

**KEY NOTES**

- PROVIDE CONNECTION FROM KITCHEN FIRE SUPPRESSION SYSTEM TO FACP.
- PROVIDE SHUNT TRIP BREAKERS FOR ALL ELECTRICAL EQUIPMENT LOCATED UNDERNEATH FIRE SUPPRESSION SYSTEM. SEE SHEET E4.03
- SEE F2.03 FOR FIRE ALARM/MASS NOTIFICATION SYSTEM CONFIGURATION AND LAYOUT.
- PROVIDE CONNECTION TO MONITOR PIV, PROVIDE 1" UNDERGROUND CONDUIT WITH FIRE ALARM WIRING TO FACP.
- PROVIDE CONNECTION FROM EXHAUST HOOD FIRE SUPPRESSION SYSTEM TO FACP.



Symbol	Description	Date	Approved
FOR CONSTRUCTION	FOR CONSTRUCTION	10/15/11	
FOR CONSTRUCTION	FOR CONSTRUCTION	10/15/11	
FOR CONSTRUCTION	FOR CONSTRUCTION	10/15/11	
FOR CONSTRUCTION	FOR CONSTRUCTION	10/15/11	
FOR CONSTRUCTION	FOR CONSTRUCTION	10/15/11	
FOR CONSTRUCTION	FOR CONSTRUCTION	10/15/11	
FOR CONSTRUCTION	FOR CONSTRUCTION	10/15/11	
FOR CONSTRUCTION	FOR CONSTRUCTION	10/15/11	
FOR CONSTRUCTION	FOR CONSTRUCTION	10/15/11	
FOR CONSTRUCTION	FOR CONSTRUCTION	10/15/11	

Designed by:	RDJ	Date:	08/06/09	Rev:
Drawn by: <td>RDJ</td> <td>Design file no.: <td></td> <td></td> </td>	RDJ	Design file no.: <td></td> <td></td>		
Reviewed by: <td>RBG</td> <td>Drawing code: <td></td> <td></td> </td>	RBG	Drawing code: <td></td> <td></td>		
Submitted by: <td>RBG</td> <td>File name: <td>WFC2-01.DWG</td> <td></td> </td>	RBG	File name: <td>WFC2-01.DWG</td> <td></td>	WFC2-01.DWG	
Chief Engineer: <td></td> <td>Plot date: <td></td> <td></td> </td>		Plot date: <td></td> <td></td>		
		Plot scale: <td>1:1</td> <td></td>	1:1	

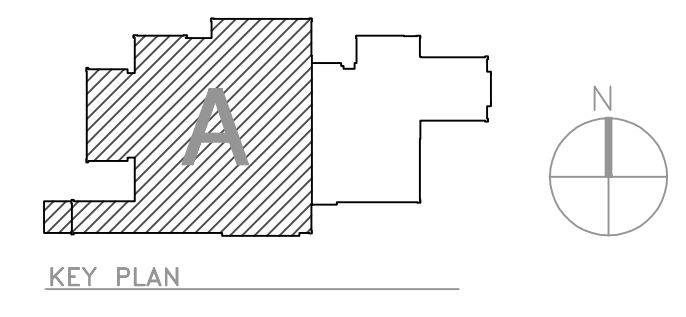
DEPARTMENT OF THE AIR FORCE  
 23 CIVIL ENGINEER SQUADRON  
 WOODY AIR FORCE BASE, GEORGIA

**LEO DAILY**  
 FORMERLY SETTER LEACH & LINDSTROM

MOODY AFB, GEORGIA  
 YOUTH CENTER ADDITION/ALTERATION  
 MAFB PROJECT NO. QSEU010145A & B

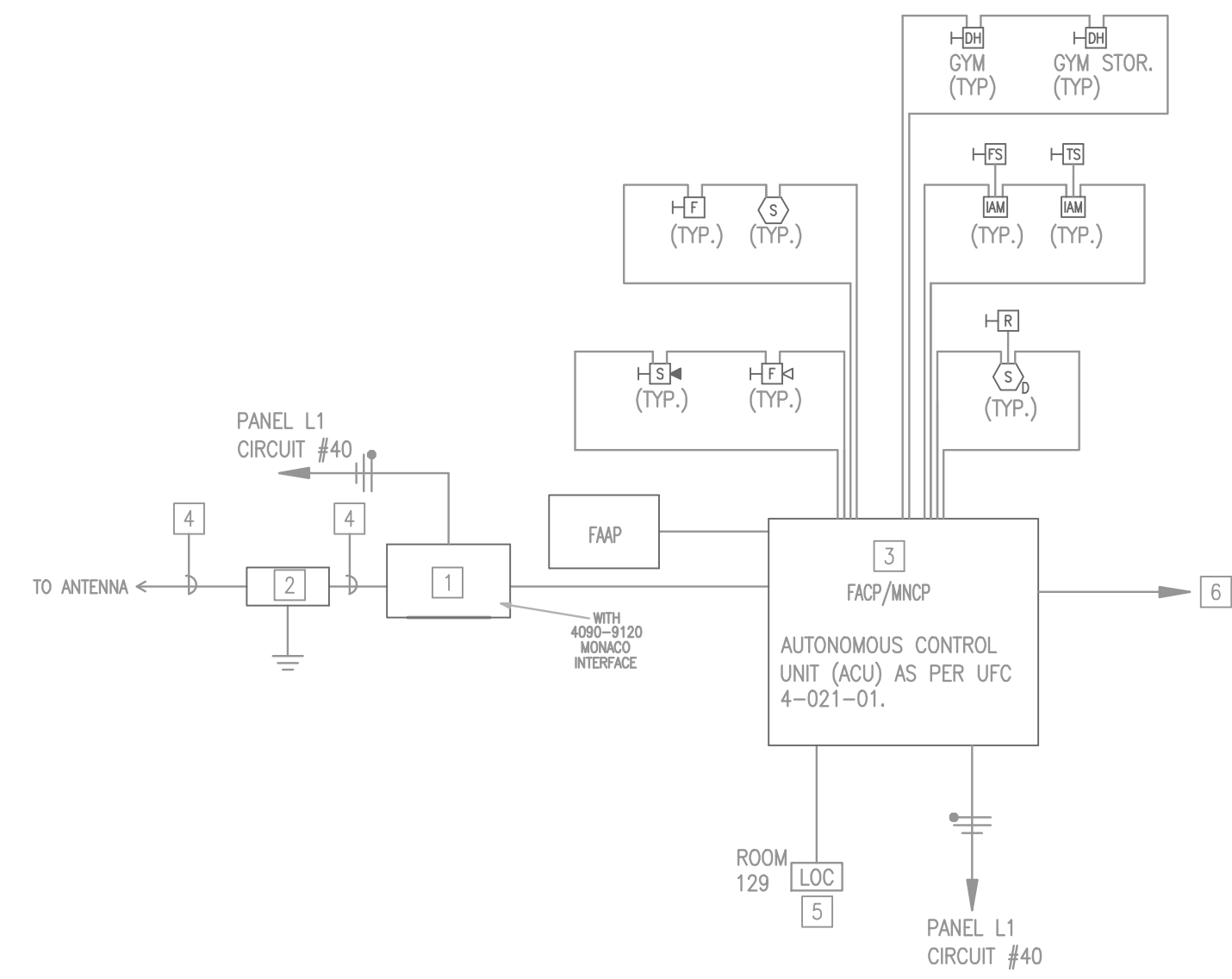
FIRE ALARM/MASS NOTIFICATION FLOOR PLAN AREA 'A'

1 FIRE ALARM/MASS NOTIFICATION FLOOR PLAN AREA 'A'  
 F2.01 SCALE: 1/8" = 1'-0"

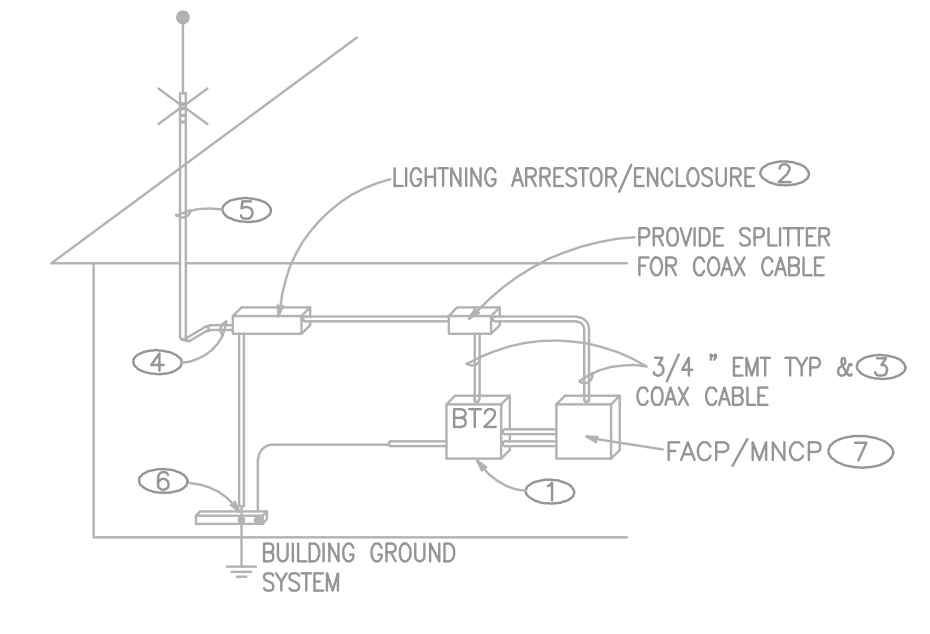


Sheet reference number:  
**F2.01**





1 RISER DIAGRAM  
F2.03 SCALE: NTS



2 ANTENNA DETAIL  
F2.03 SCALE: NTS

ANTENNA DETAIL NOTES

- 1 RE-USE 8 ZONE MONACO BT2-7 BUILDING TRANSCEIVER. RELOCATE TO LOCATION INDICATED.
- 2 PROVIDE A LIGHTNING ARRESTOR KIT (STATIC DISCHARGE UNIT WITH TWO 10" STRIPS OF COAX SEAL) IN NEMA 3R RAINTIGHT ENCLOSURE (12"x4"x4"), MONACO PART #198-006-0 WITH #081-076-00 ENCLOSURE.
- 3 PROVIDE A MINIATURE 50 ohm COAXIAL CABLE ASSEMBLY, TYPE II WITH 2PL-259 CONNECTORS (LENGTH AS REQUIRED, MONACO PART #625-100-##).
- 4 PROVIDE A MINIATURE 50 ohm COAXIAL CABLE ASSEMBLY, TYPE I WITH 2PL-259 CONNECTORS (LENGTH AS REQUIRED, MONACO PART #625-100-##).
- 5 PROVIDE A VHF OMNIDIRECTIONAL ANTENNA BSA-1, 132-174 MHZ, MONACO PART #190-400-00. TRIM THE LENGTH OF THE ANTENNA FOR THE BASE FREQUENCY OF SIX Mhz. INCLUDE ANTENNA MOUNTING HARDWARE. MOUNT TO ROOF MOUNTED MAST.
- 6 MAIN GROUND BAR (MGB)
- 7 COMBINATION FIRE ALARM/MASS NOTIFICATION CONTROL PANEL (FACP/MNCP)

GENERAL NOTES

- A. SEE DRAWINGS F2.01 AND F2.02 FOR FIRE ALARM AND MASS NOTIFICATION DEVICE LOCATIONS.
- B. FIRE ALARM AND MASS NOTIFICATION SYSTEM TO COMPLY WITH UFC 4-021-01 DATED 9 APRIL 2008.
- C. ENSURE SYSTEM INTELLIGIBILITY COMPLES AND IS TESTED AS REQUIRED IN PARAGRAPH 4-6.1.3 OF UFC 4-021-01.

KEY NOTES

- 1 EXISTING MONACO BT2-7 TRANSCEIVER WITH 4090-8120 MONACO INTERFACE MODULE. REMOVE FROM EXISTING UTILITY ROOM AND RELOCATE ADJACENT TO FIRE ALARM AND MASS NOTIFICATION CONTROL PANEL.
- 2 LIGHTNING ARRESTOR. SEE 2/F2.03.
- 3 COMBINATION FIRE ALARM/MASS NOTIFICATION CONTROL PANEL (FACP/MNCP).
- 4 PROVIDE 1" CONDUIT WITH ANTENNA COAXIAL CABLE AS PER MANUFACTURERS REQUIREMENTS.
- 5 PROVIDE WALL MOUNTED LOCAL OPERATING CONSOLE (LOC) ADJACENT TO FIRE ALARM ANNUNCIATOR.
- 6 PROVIDE CONNECTION TO THE BUILDING PA SYSTEM TO SILENCE THE PA SYSTEM DURING A MASS NOTIFICATION EVENT.



Symbol	Description	Date	Approved
	FOR CONSTRUCTION	01/15/11	
	NOT FOR CONSTRUCTION	04/20/09	
	NOT FOR CONSTRUCTION	03/07/08	
	NOT FOR CONSTRUCTION	01/18/07	

Designed by:	RDJ	Date:	08/06/09	Rev:	
Drawn by:	RDJ	Design file no.:			
Reviewed by:	BBB	Drawing code:			
Submitted by:	BBB	File name:	WFC2-CLD.WG		
Chief Engineer:		Plot date:			Plot scale: 1:1

DEPARTMENT OF THE AIR FORCE  
23 AIR COMBAT COMMAND  
MOODY AIR FORCE BASE, GEORGIA

**LEO A DALY**  
FORMERLY SETTER LEACH & LUNDSTROM

MOODY AFB, GEORGIA  
YOUTH CENTER ADDITION/ALTERATION  
MAFB PROJECT NO. QSEU010145A & B

FIRE ALARM/MASS NOTIFICATION RISER

Sheet reference number:  
F2.03