

FACILITIES ENGINEERING DEPARTMENT  
FACILITIES DIRECTORATE  
Marine Corps Air Station  
Cherry Point, North Carolina 28533-0006

22 Dec 2011

PHOTO #1, Building 4310

Southeast end of building showing 1<sup>st</sup>, 2<sup>nd</sup> & 3<sup>rd</sup> floor walkways. The left side of the photo shows the right edge of the stairs. The 2<sup>nd</sup> floor walkway has dropped due to movement of the support beam.



FACILITIES ENGINEERING DEPARTMENT  
FACILITIES DIRECTORATE  
Marine Corps Air Station  
Cherry Point, North Carolina 28533-0006

22 Dec 2011

PHOTO #2, Building 4310

2<sup>nd</sup> floor walkway that has been affected by failure of its cantilevered beam support.

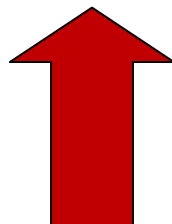


FACILITIES ENGINEERING DEPARTMENT  
FACILITIES DIRECTORATE  
Marine Corps Air Station  
Cherry Point, North Carolina 28533-0006

22 Dec 2011

PHOTO #3, Building 4310

This photo is zoomed in on the cantilevered beam that has failed and the 2nd floor walkway. Note the walkway slab on the right side is resting on the beam, and the walkway slab on the left side isn't resting on the beam but is being held higher because it rests on the stair structure.



FACILITIES ENGINEERING DEPARTMENT  
FACILITIES DIRECTORATE  
Marine Corps Air Station  
Cherry Point, North Carolina 28533-0006

22 Dec 2011

PHOTO #4, Building 4310  
Failed beam, left side.



PHOTO #5, Building 4310  
Failed beam, right side.



FACILITIES ENGINEERING DEPARTMENT  
FACILITIES DIRECTORATE  
Marine Corps Air Station  
Cherry Point, North Carolina 28533-0006

22 Dec 2011

PHOTO #6, Building 4310

Side angle view, zoomed in on the joint where walkway slabs meet, left side.



PHOTO #7, Building 4310

Underneath looking up at 2<sup>nd</sup> floor slab.



FACILITIES ENGINEERING DEPARTMENT  
FACILITIES DIRECTORATE  
Marine Corps Air Station  
Cherry Point, North Carolina 28533-0006

22 Dec 2011

PHOTO #8, Building 4310

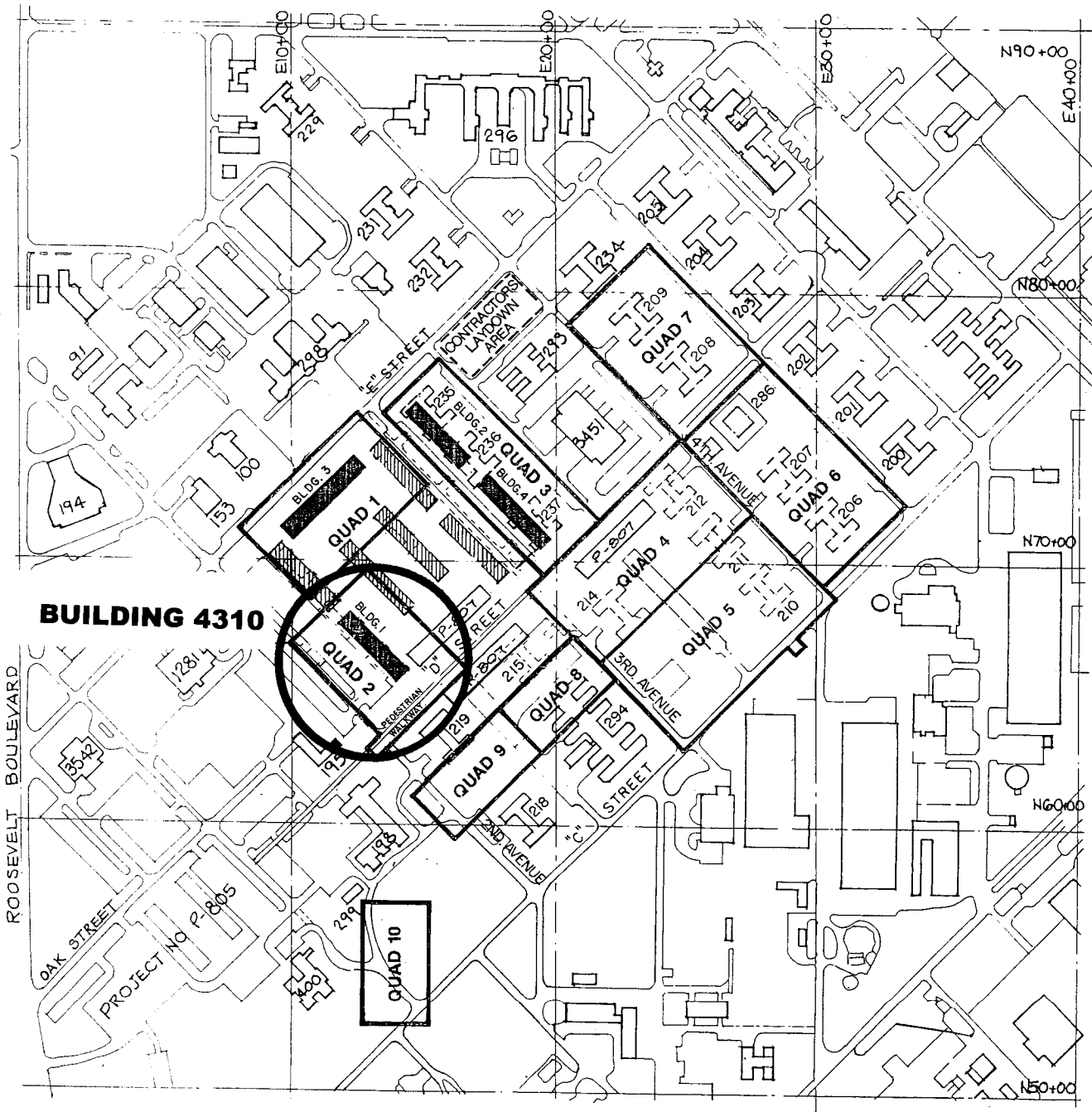
Failed beam at face of building, bottom left side



PHOTO #9, Building 4310

Failed beam at face of building, right side





**BUILDING 4310**

NORTH



**SITE PLAN**  
N.T.S.

**Sketch No. B4310-01**



INSIDE FACE  
OF WALL

SOLID CONC. SLAB  
(TYP. EA. END)

REPLACE BEAM # FB9

5- EXISTING PILASTER "TYPE 5"

STAIR NO. 1  
SEE 3/S9

FB7

FB8

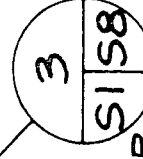
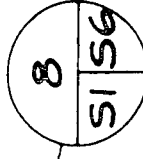
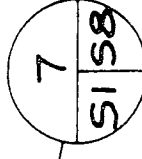
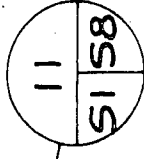
FB9

FB9

FB8

FB7

FB1 - TYP.  
EXCEPT AS  
NOTED  
(SEE SHT. S-8 FOR  
BEAM SCHEDULE)

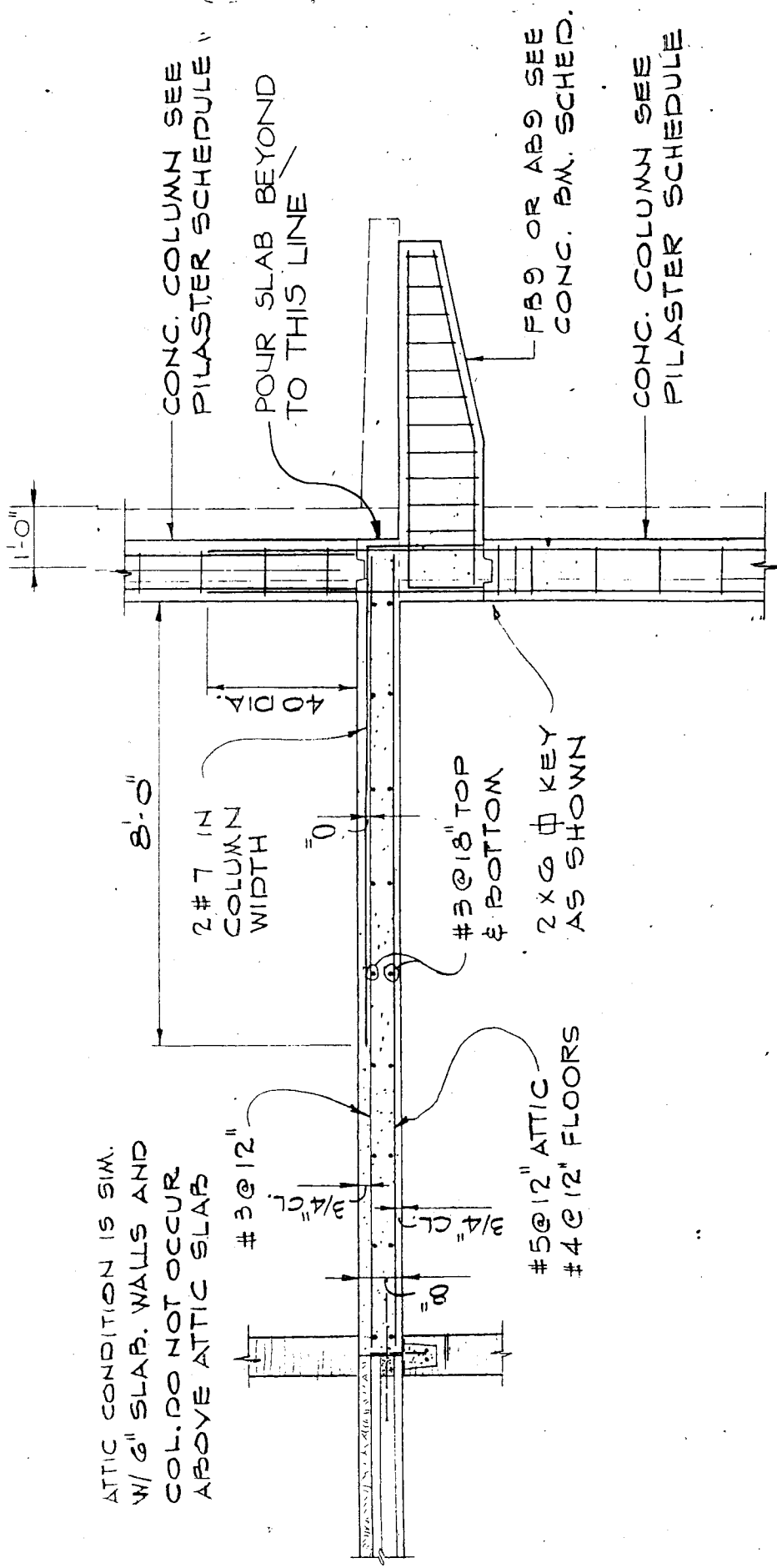


PRECAST  
BALCONY  
SLABS

**PLAN VIEW**

**N.T.S.**

**Sketch No. B4310-02**



ATTIC CONDITION IS SIM.  
W/ 6" SLAB. WALLS AND  
COL. DO NOT OCCUR  
ABOVE ATTIC SLAB

CONC. COLUMN SEE  
PILASTER SCHEDULE  
POUR SLAB BEYOND  
TO THIS LINE

#3@18" TOP  
& BOTTOM  
2 X 6  $\phi$  KEY  
AS SHOWN

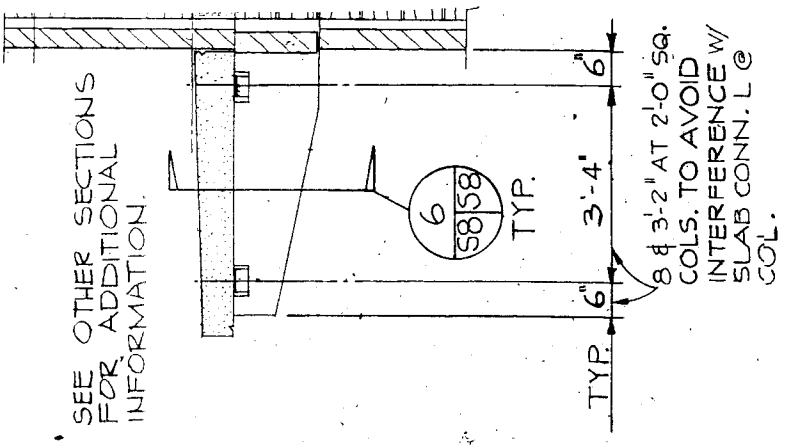
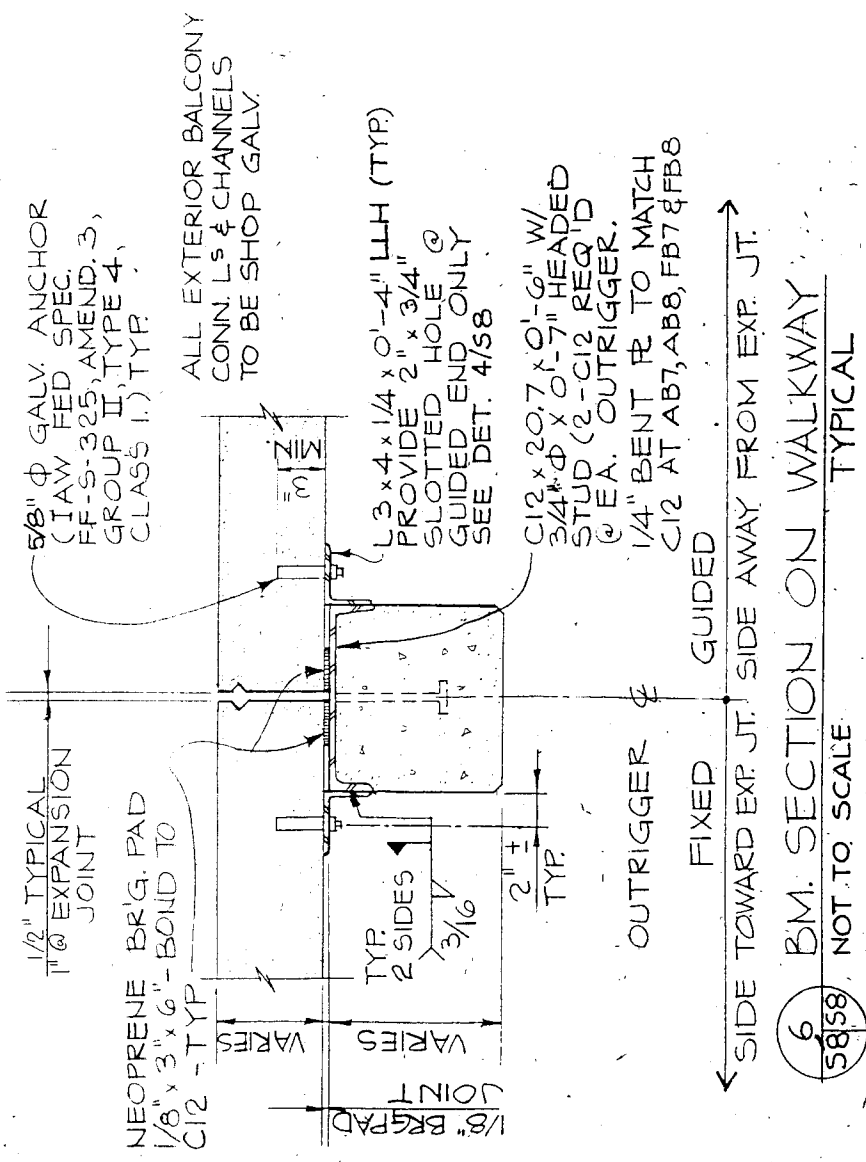
#5@12" ATTIC  
#4@12" FLOORS

FB9 OR AB9 SEE  
CONC. BM. SCHED.

CONC. COLUMN SEE  
PILASTER SCHEDULE

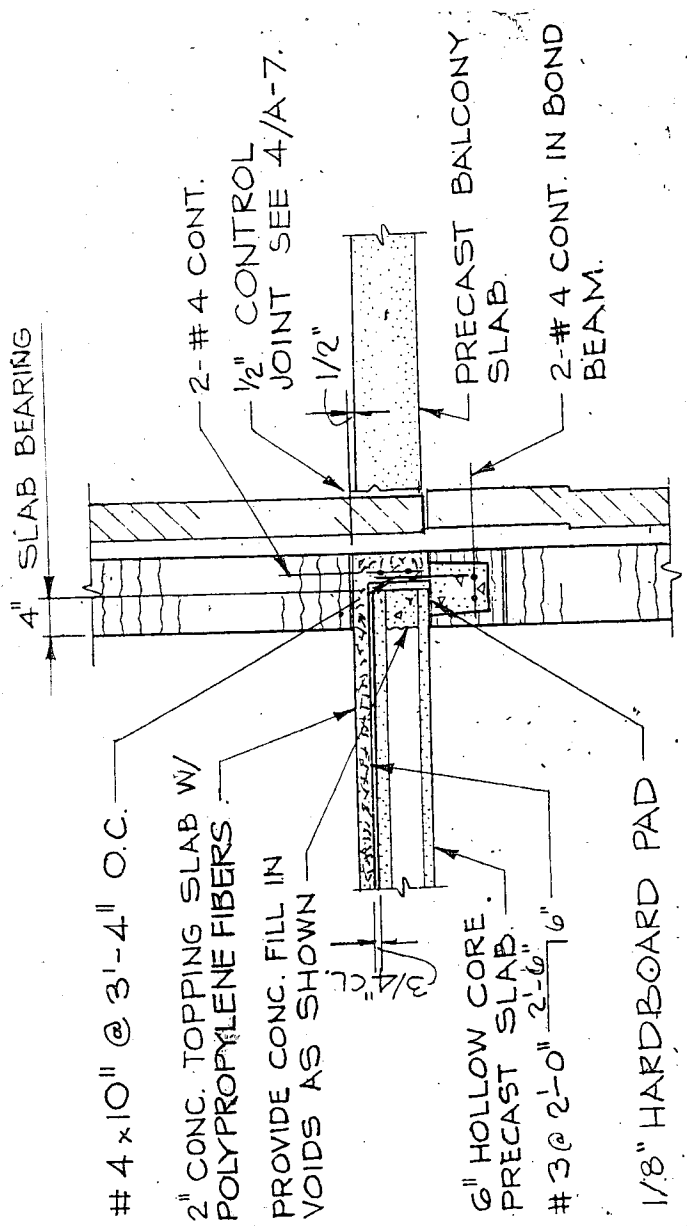
7 5158  
DETAIL AT CONC. BM. FB9  
N.T.S.  
52

**Note: This detail is taken from as-built record drawings. The Contracting Officer does not know if the detail reflects the actual construction of the beam.**



**Notes:**

- 1. This detail is taken from as-built record drawings. The Contracting Officer does not know if the detail reflects the actual construction of the beam.**
- 2. Steel reinforcing in the beam section and in the walkway section is not shown.**
- 3. Walkways do not always have angles anchoring them to the beam as is shown on the detail.**



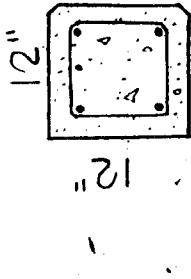
TYP. SECTION AT END WALL

N.T.S.

11  
S158

52

- Notes:**
- 1. This detail is taken from as-built record drawings. The Contracting Officer does not know if the detail reflects the actual existing construction of the facility.**



4-#7  
#3 TIES @ 12"

**EXISTING PILASTER "TYPE 5"**

N.T.S.

BEAM MARK	WIDTH OUTSIDE (CANT. OR SPAN)	WIDTH INSIDE	TOP BARS	BOTTOM BARS	#3 STIRRUPS		REMARKS
					OUTSIDE (CANT. OR SPAN)	INSIDE	
FB9	1'-0"	SEE 7/58	2#8	2#5	1@1 1/2", 4@4 1/2", 6" @ 6"	SEE DET. 7/58	SPACE STIRRUPS FROM FACE OF COL

**EXISTING REINFORCING - PILASTER "TYPE 5"**

**AND BEAM "FB9"**

N.T.S.

**Notes:**

1. This detail is taken from as-built record drawings. The Contracting Officer does not know if the detail reflects the actual existing construction.
2. Use these details to define the required reinforcement in the replaced Beam FB9.